

## Han TC100 M-contact 35mm<sup>2</sup> protected

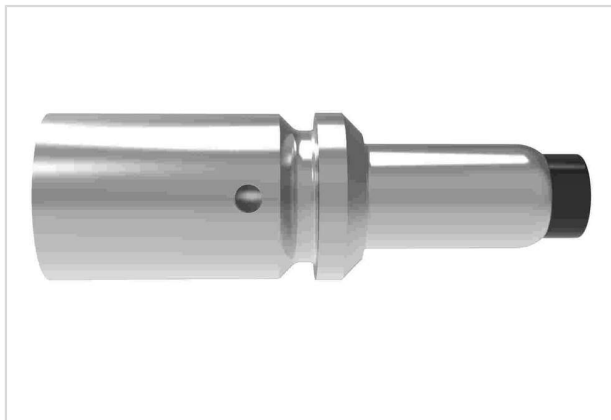


Image is for illustration purposes only. Please refer to product description.

|                    |   |
|--------------------|---|
| Part number        | 09 11 000 7114  |
| Specification      | Han TC100 M-contact 35mm <sup>2</sup> protected                               |
| HARTING eCatalogue | <a href="https://harting.com/09110007114">https://harting.com/09110007114</a> |

### Identification

|                 |               |
|-----------------|---------------|
| Category        | Contacts      |
| Series          | TC 100        |
| Type of contact | Crimp contact |

### Version

|                       |   |
|-----------------------|---|
| Termination method    | Crimp termination   |
| Gender                | Male  |
| Manufacturing process | Turned contacts   |
| Details               | Touch protection IPXXB in combination with the module 09140013035 |

### Technical characteristics

|                         |                              |
|-------------------------|------------------------------|
| Conductor cross-section | 35 mm <sup>2</sup>           |
| Rated current           | ≤100 A                       |
| Contact resistance      | ≤0.3 mΩ                      |
| Stripping length        | 19 mm                        |
| Limiting temperature    | -40 ... +125 °C              |
| Mating cycles           | ≥500                         |
| Vibration resistance    | Category 2 acc. to IEC 61373 |
| Shock resistance        | Category 2 acc. to IEC 61373 |

### Material properties

|                     |                                |
|---------------------|--------------------------------|
| Material (contacts) | Copper alloy<br>Polyamide (PA) |
|---------------------|--------------------------------|



**Pushing Performance**  
Since 1945

## Material properties

|                                      |               |
|--------------------------------------|---------------|
| Surface (contacts)                   | Silver plated |
| RoHS                                 | compliant     |
| ELV status                           | compliant     |
| China RoHS                           | e             |
| REACH Annex XVII substances          | Not contained |
| REACH ANNEX XIV substances           | Not contained |
| REACH SVHC substances                | Not contained |
| California Proposition 65 substances | Not contained |

## Specifications and approvals

|                |                          |
|----------------|--------------------------|
| Specifications | IEC 60664-1<br>IEC 61984 |
|----------------|--------------------------|

## Commercial data

|                                |  |
|--------------------------------|--|
| Packaging size                 | 10   |
| Net weight                     | 21.18 g                                    |
| Country of origin              | Romania                                    |
| European customs tariff number | 85366990                                   |
| eCl@ss                         | 27440204 Contact for industrial connectors |
| ETIM                           | EC000796                                   |
| UNSPSC 24.0                    | 39121522                                   |